



#### Bezbednosna upozorenja tokom montaže:

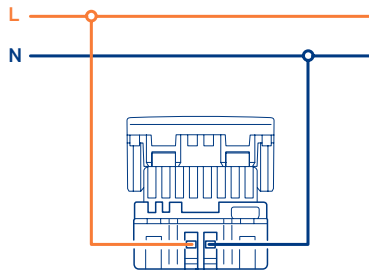
- Montaža se mora sprovesti u skladu sa propisima za kućne električne instalacije. Koristiti provodnike 2x1,5mm<sup>2</sup>
- Radi zaštite od udara USB priključiti na mrežu preko dvopolne sklopke 10A/250V~
- Komunikacioni, antenski i drugi konektori malog napona nisu dozvoljeni u istoj montažnoj kutiji
- Montažu i održavanje mora vršiti stručno lice
- Isključiti napajanje pre montaže ili održavanja
- Punjač nije pogodan za spoljnu montažu
- Preopterećenje, strujni udari i kratki spoj mogu uništiti USB. Pre i posle montaže obavezno proveriti strujno kolo
- Da bi se osigurao protok vazduha, samo jedan dodatni modul može biti montiran u istu kutiju. Dodatni modul ne može koristiti isto napajanje, osim ako nije USB punjač i ne sme ometati protok vazduha za USB
- USB montirati uvek u položaju kako je prikazano na slici (Sl. 1) radi osiguranja i hlađenja

#### Instrukcije za montažu:

- 1) Montirajte prirubnicu na montažnu kutiju
- 2) Povežite USB punjač prema priloženoj šemi (Sl. 2)
- 3) Utisnite USB u prirubnicu
- 4) Dovršite montažu stavljanjem maske i tek nakon toga uključite napajanje

#### Upozorenja za bezbednu upotrebu:

- Priključeni uređaji ne smeju prelaziti naznačeno opterećenje
- Preopterećenja, električna pražnjenja i kratki spoj mogu trajno oštetiti uređaj
- Nikada ne prespajati USB izlaz sa drugim izvorima napajanja
- Ne koristiti za namene koje nisu eksplicitno navedene
- Predugačak USB kabl može sprečiti usaglašenost sa standardima. Maksimalna dužina kabla zavisi od tipa kabla i uređaja; uvek koristiti originalni kabl od uređaja
- Ne čistiti alkoholom, uljem ili razređivačem. Jednostavno koristite suhu krpu.



Sl. 2

#### Specifikacija:

Ulaz 230V~ 50Hz 0,1A

Izlaz 5V=1,2A

Temperatura skladištenja: -10 do +40°C

Temperatura upotrebe: -10 do +40°C

Relativna vlažnost: 0-60% bez kondenzacije

#### Standardi:

USB standard

Direktiva 2011/65/EU (RoHS)

Direktiva 2006/95/EC (niski napon)

EN 60950-1 (IT bezbednost)

#### Uređaji koji se mogu napajati:

mobilni telefoni,  
tablet računari,  
prenosni audio plejeri,  
prenosne konzole....

experience

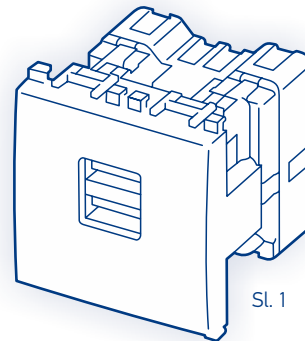
experience

 ALING CONEL

Nova Dimenzija Kvaliteta

SRBIJA • 21432 GAJDOBRA • Železnička 10  
TEL.: +381 21/762-674, 762-586 • FAX.: +381 21/762-779  
e-mail: info@aling-conel.com

[www.aling-conel.com](http://www.aling-conel.com)



Sl. 1

Punjač sa USB konektorom

Art. 74283



#### Safety precautions during installation:

- Installation must be done in accordance with the regulations for household wiring. Use conductors 2x1,5mm<sup>2</sup>
- To protect against electric shock, connect USB to the network through 2 pole switch 10A/250V ~
- Communication, antenna and other low voltage connectors are not allowed in the same mounting box
- Installation and maintenance must be carried out by qualified person
- Turn off the power before installation or maintenance
- The charger is not suitable for outdoor installation
- Overload, electric shocks and short circuits can destroy the USB. Before and after installation mandatory check circuit
- In order to ensure the air flow, a single additional module may be mounted in the same mounting box.
- Additional modules cannot use the same power supply, unless it is the USB charger and should not interfere with the air flow for USB
- Install USB in position as shown in the picture (Fig. 1), in order to ensure safety and cooling

#### Assembly Instructions:

- 1) Install the mounting frame into the mounting box
- 2) Connect USB charger according to wiring diagram (Fig. 2)
- 3) Push the USB into the mounting frame
- 4) Finish the assembly by installing the cover frame and only after that turn on the power

#### Warnings for safe use:

- Connected devices must not exceed the specified load
- Overload, electric discharges and short circuits may permanently damage the device
- Never connect an USB output with other power supplies
- Do not use for purposes that are not explicitly listed
- Too long USB cable may prevent compliance with the standards. The maximum cable length depends on the cable type and devices; Always use original cable from the device
- Do not clean with alcohol, oil or solvents. Simply use a dry cloth.

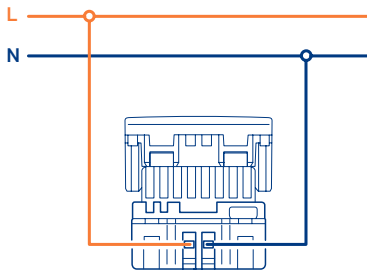


Fig. 2

#### Specification:

Input 230V~ 50Hz 0,1A

Output 5V=1,2A

Storage temperature: -10 do +40°C

Usage temperature: -10 do +40°C

Humidity: 0-60% no condensation

#### Standards:

USB standard

Directive 2011/65/EU (RoHS)

Directive 2006/95/EC (low voltage)

EN 60950-1 (IT safety)

#### Devices that can be powered:

- mobile phones,
- tablets,
- portable audio players,
- portable consoles....

experience

experience

 **ALING CONEL**

New Quality Dimension

SRBIJA • 21432 GAJDOBRA • Železnička 10  
 TEL.: +381 21/762-674, 762-586 • FAX.: +381 21/762-779  
 e-mail: info@aling-conel.com  
[www.aling-conel.com](http://www.aling-conel.com)

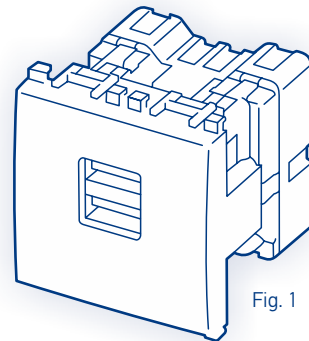


Fig. 1

**Charger with USB connector**  
**Item. 74283**